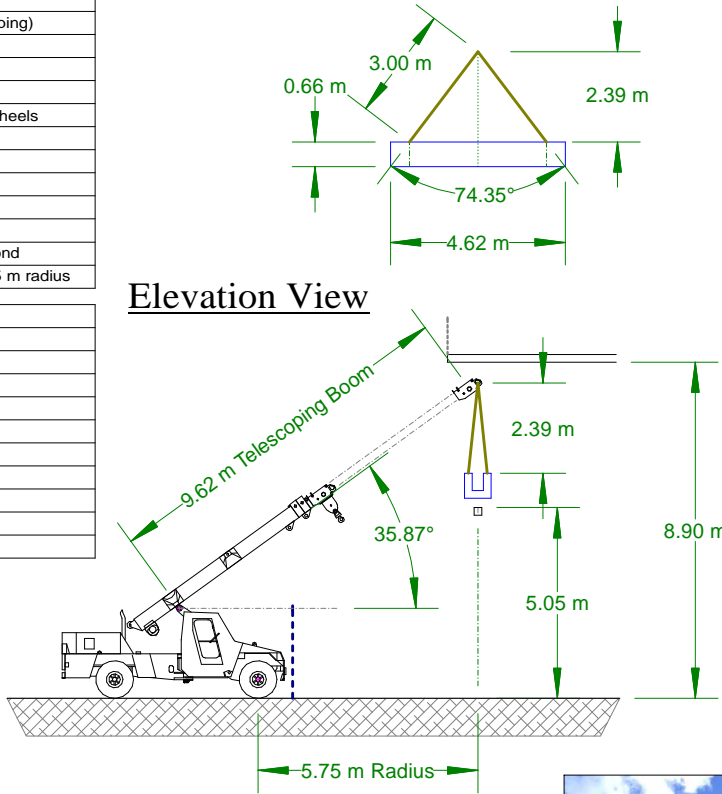


CRANE TECHNICAL INFO	
Crane Model:	Franna
Total Crane Weight (travel):	16.50 ton
Max. Axle Weight (no. axles):	10.00 ton (2)
Main Boom Extended:	9.62 m (telescoping)
Telescopic Sections:	n/a
Fly Jib length / angle:	n/a
Counterweights:	integrated
Outrigger Base Centres:	n/a - Free on Wheels
Max. Outrigger Jack Point Load:	n/a
Standard Outrigger Mat Size:	n/a
Additional Mats - Base Area:	n/a
Effective Bearing Area of Mat:	n/a
Max. Pressure Through Mat:	n/a
Max. Working Wind Speed:	9.80 m per second
Capacity:	4.00 ton @ 5.75 m radius

LOAD DETAILS OF ITEM LIFTED	
Item Weight:	3.90 ton
Lifting Tackle:	0.05 ton
Lifting Beam / Device:	n/a
Reduction For Fly:	n/a
Reduction For Guyed Mast:	n/a
Hook Block:	n/a
Total Load:	3.95 ton
Capacity:	4.00 ton
Useable Capacity:	0.05 ton
% Capacity Used:	98.75

Elevation View



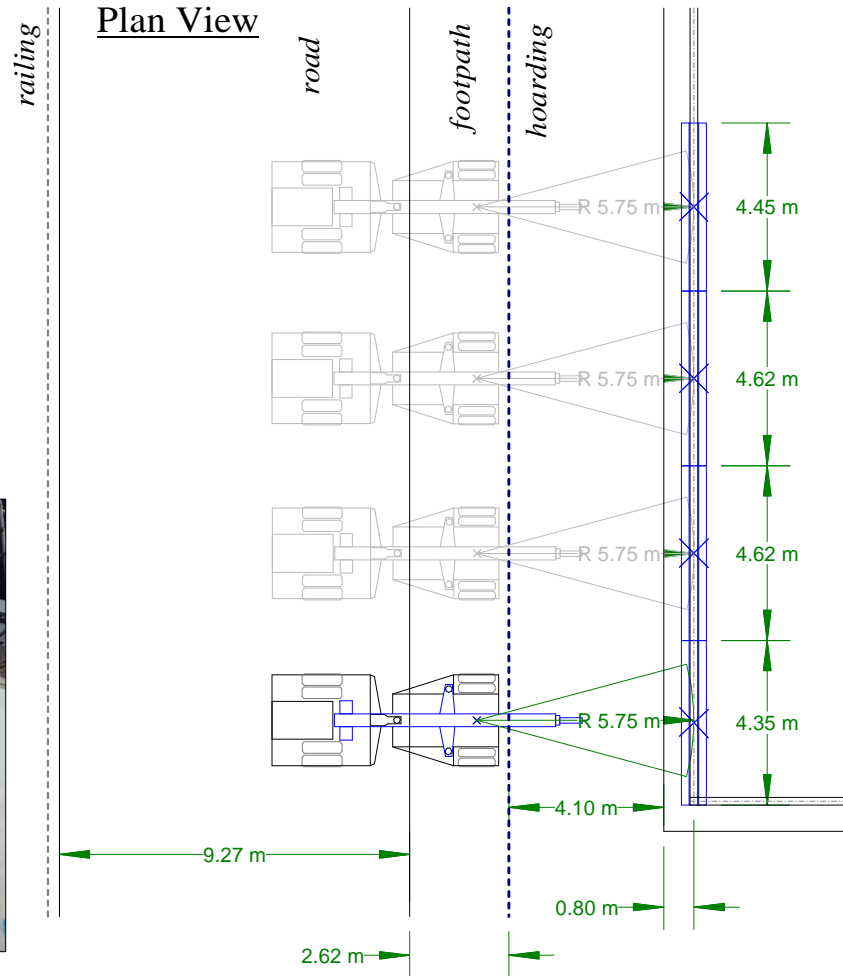
View from Road



Site View



Plan View



Rhino Hook Duty Chart

Boom Angle	FRANNA CRANES LOAD CHART C1206B MODEL AT-145B BOOM HEAD MOUNTED IN RHINO HOOK in KILOGRAMS															
	BOOM LENGTH MANUAL RETRACTED															
60° (Radius)	5.35	5.50	6.00	6.50	7.00	7.50	8.00	8.50	9.00	9.50	10.00	10.50	11.00	11.50	11.95	15.20
50° (Radius)		6000	6000	6000	6000	6000	6000	6000	6000	6000	6000	6000	6000	6000	6000	6000
40° (Radius)	6000	6000	6000	6000	6000	6000	6000	6000	6000	6000	6000	6000	6000	6000	6000	6000
30° (Radius)	6000	6000	7500	6000	6000	6000	5500	4900	4450	4000	3650	3350	3100	2800	2600	1500
20° (Radius)	6000	7500	6000	6000	6000	5350	4750	4250	3850	3500	3150	2900	2650	2450	2300	1400
10° (Radius)	6000	6000	6000	6000	5550	4900	4350	3900	3500	3200	2900	2650	2450	2250	2100	1350
0° (Radius)	6000	6000	6000	6000	5350	4700	4200	3750	3400	3100	2800	2600	2350	2200	2050	1350



Mobile: 07958 813047  
Email: g.davies@craneconsultancy.co.uk

Client Name:	Robertson Construction	Rev	Date	Detail	Chkd	Appr
Site Address:	Spanish City, Whitley Bay	R0	04.08.17	Plan & Elevation	-	-
Title / Description:	Lift concrete channels into position					
Scale of Dwg:	1:200 @ A4					
Dwg Status:	Approved for Lifting					
I.D Number:	GD/ROB/0029	Drawn By:	Date Drawn:	Revision Number:		
		Gary Davies	4th August 2017	0		

Do not scale drawing  
Client to provide safe access to rigging area  
Client to provide crane base hardstanding  
No crane movements to be unaccompanied  
No persons not involved with lift allowed into the segregated area

